

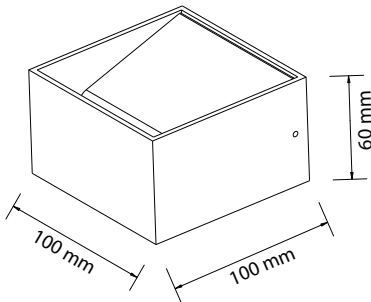
# LED WALL LIGHT

 Product&Family Code: **029 007 0008**
**TRUVA**

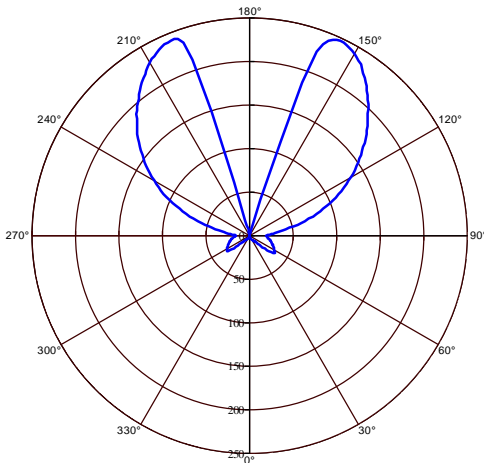

**WHITE**

**BLACK**

## Technical Drawing



## Photometric Diagram



$\hookrightarrow$  C0 Plane beam angle(50%)  $\hookrightarrow$  C90 Plane beam angle(50%)  
 C0 Plane beam angle(50%):80.0(DEG) C90 Plane beam angle(50%):324.2(DEG)

Technical Data	
Voltage (V)	100-240V
Product Wattage (W)	8
Equivalence with incandescent lamp(W)	64
Colour Render Index (Ra)	>Ra70
Colour Temperature (K)	4200
Materials	Iron
Protection Class	II
Dimmable	No
EEI	A $\rightarrow$ to A++
Warm-up time up to 60 %of the full light output	Instant Full Light
Luminous Flux (lm)	520
Luminous Efficacy (lm/W)	65
Rated Life (hrs) $\oplus$	30.000
IP Rating	20
Power Factor	>0.5
Beam Angle	180°
Starting Time	<0.2s
Number of ON-OFF cycling	x15.000

## Applications

- Styled bedroom, hallway, living room or dining area.



## Features

- High Lumen and CRI, Good quality & Constant Current driver.
- High heat dissipation, low carbon and environmental protection.
- COB LED Lamp Base.
- Very low energy consumption.

