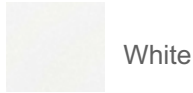


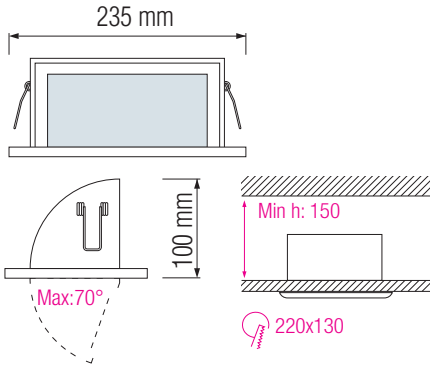
# LED DOWNLIGHT

Product&amp;Family Code:

016 018 0030

**LILY**


## Technical Drawing



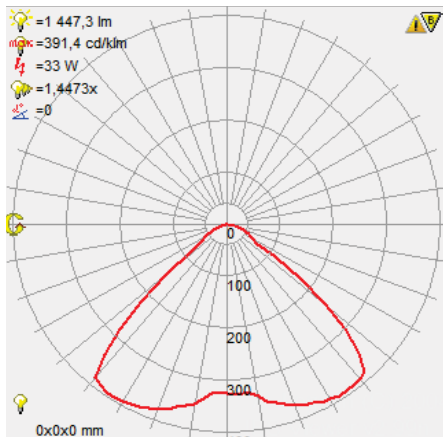
Technical Data	
Voltage (V)	220-240V
Product Wattage (W)	30
Equivalence with incandescent lamp	240
Colour Render Index (Ra)	>Ra80
Colour Temperature (K)	6500K
Materials	Aluminium
Protection Class	I
Dimmable	No
EEI	A to A <sup>++</sup>
Warm-up time up to 60 % of the full light output	Instant Full Light
Luminous Flux (lm)	1447
Luminous Efficacy (lm/W)	48
Rated Life (hrs) Ⓢ	40.000
IP Rating	20
Power Factor	>0.9
Beam Angle	120°
Starting Time	<0.2s
Number of ON-OFF cycling	x25.000

## Applications

Airport, Bathroom, Bedroom, Car Park, Cinema, Gallery, Hospital, Hotel, Kitchen, Museum etc.



## Photometric Diagram



## Features

- High Lumen and CRI, Good quality & Constant Current driver.
- High heat dissipation, low carbon and environmental protection.
- Innovative design of assembly structure.
- Extremely Long Life.

