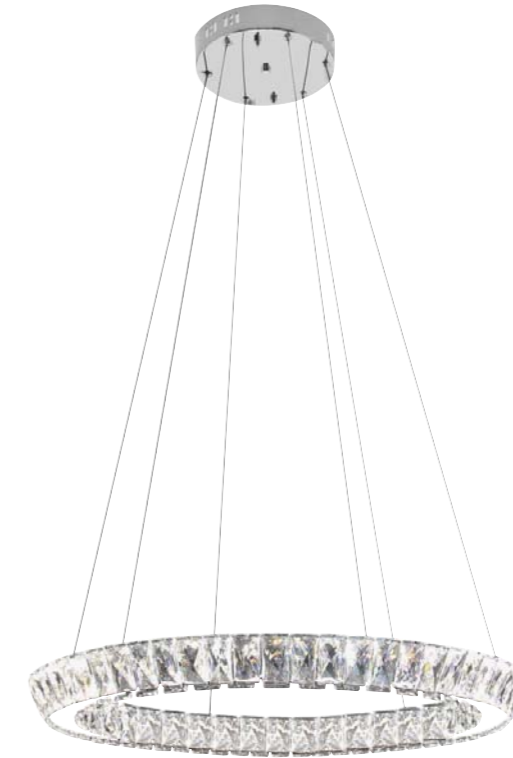




CRYSTAL LED SUSPENSION LIGHT

019 025 0040



Technical Data

Voltage (V)	180-260
Product Wattage	40
Equivalence with incandescent lamp(W)	320
Colour Render Index (Ra)	>Ra70
Colour Temperature (K)	4000K
Materials	Crystal + Stainless Steel + Iron
Protection Class	I
Dimmable	No
EEL	A to A++
Warm-up time up to 60 % of the full light output	Instant Full Light
Luminous Flux (lm)	1200
Luminous Efficacy (lm/W)	30
Rated Life (hrs)	30.000
IP Rating	20
Power Factor	>0.5
Beam Angle	120°

TORNADO-40

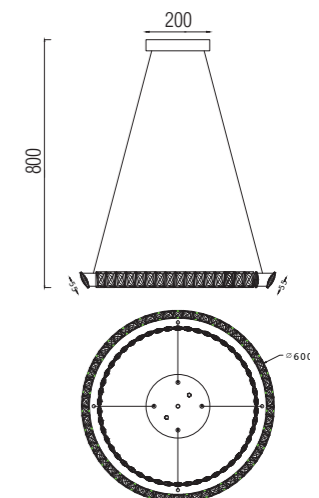
Applications

· LED Suspension Light has been specifically designed for use indoors and is ideal for both hospitality and residential lighting.

Features

- High Lumen and CRI, Good quality & Constant Current driver.
- High heat dissipation, low carbon and environmental protection.
- SMD LED Lamp Base
- Very low energy consumption

Technical Drawing



İstanbul Trakya Serbest Bölgesi Ferhatpaşa S.B. Mah.
Açelya Sk. Dış Kapı: 2 İç Kapı: 301
Çatalca / İSTANBUL

Phone +90 (212) 786 62 20
Fax +90 (212) 786 62 19
E-Mail info@horozelektrik.com